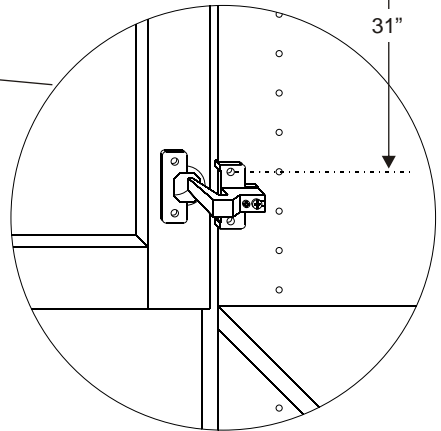
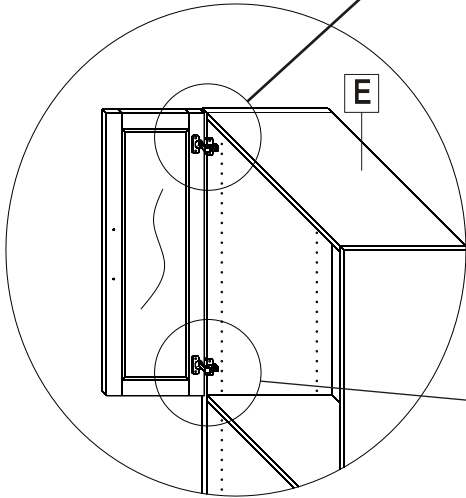
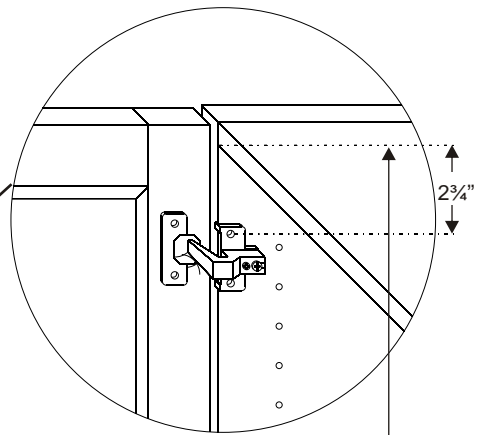




Closet Doors

Installation Manual

Measure 2 3/4" from the bottom of Top Fixed Shelf E
 Mark the spot on the Tower Side Panel
 Use 1/2" screws to secure the hinge's top hole
 on the marked spot on Tower
 Install bottom screw



Measure 31" from the bottom of Top Fixed Shelf E
 Mark the spot on the Tower Side Panel
 Use 1/2" screws to secure the hinge's top hole
 on the marked spot on Tower
 Install bottom screw

Use 1/2" screws to secure the hinges to
 the closet doors (round part of the hinge)

